

PRODUCT SPECIFICATIONS



- Fire-rated & sound-rated, cost-effective LED recessed lighting
- Twist & Lock feature for easy trim installation
- 750 & 1000 lumen outputs
- 2700K, 3000K, 3500K, 4000K CCT
- Flicker-free TRIAC/ELV, 0-10V, or EcoSystem® dimming
- 50,000 hr lifetime at 70% lumen maintenance



Frame-in Kit

JUNCTION BOX: Fire-resistant rated for up to 2 hours in floor-ceiling and roof-ceiling assemblies per UL 514A and ANSI/UL 263. Equipped with (4) 1/2" trade size knockouts (two side, two top) to allow straight conduit runs. Approved for 8 (four in, four out) #12 AWG 90°C through wiring conductors.

MOUNTING: Pre-installed mounting brackets allow vertical adjustment of bar hangers up to 1".

CEILING: 1/2" up to 1 1/4".

CUTOUT: 3 7/8" square.

Light Engine

LED: Tightly binned, high performing white Cree® LEDs enable excellent fixture to fixture color consistency and long lifetime. Delivers 93+ CRI in all available color temperatures.

BINNING: Color variation within 2-step MacAdam ellipse.

CONNECTOR: IDEAL PowerPlug® Luminaire Disconnect, female.

DRIVER: Integral electronic driver for 120/277V 50/60Hz operation. Electronic driver compatible with forward and reverse phase-control dimming at 120V only.

SYSTEM POWER CONSUMPTION: 11.8W (750 lm module), 14.7W (1000 lm module).

DIMMING: TRIAC/ELV dimming standard for 120V only, with flicker-free dimming to less than 5% of total lumen output.

RATED LED LIFE: 50,000 hours at 70% lumen maintenance, based on IESNA LM 80-2008 standard (L70, B50).

PHOTOMETRIC TESTING: Tested in accordance to IESNA LM-79-2008.

LISTINGS: IC rated (750 lm module). cULus Listed. ENERGY STAR® qualified. Title 24 compliant. ASTM E283 certified Air Tight. UL 514A certified and ANSI/UL 263 compliant for up to 2 hour fire-resistant rating. UL Listed for Wet Location. CEC listed.

WARRANTY: 5 year limited warranty.

Trim

CONSTRUCTION: Die-cast aluminum. Twist & Lock mounting allows easy field installation and tight ceiling fit.

Product Code:	Type:	
Project:	Contact:	Date:



PRODUCT SELECTION GUIDE

FRAME-IN KIT

Product Code Example: **DRDHNJ**

PRODUCT CODE	APPLICATION	APERTURE
DRDH Housing	N New Construction	J Junction Box

LIGHT ENGINE

Product Code Example: **DRD2M7927**

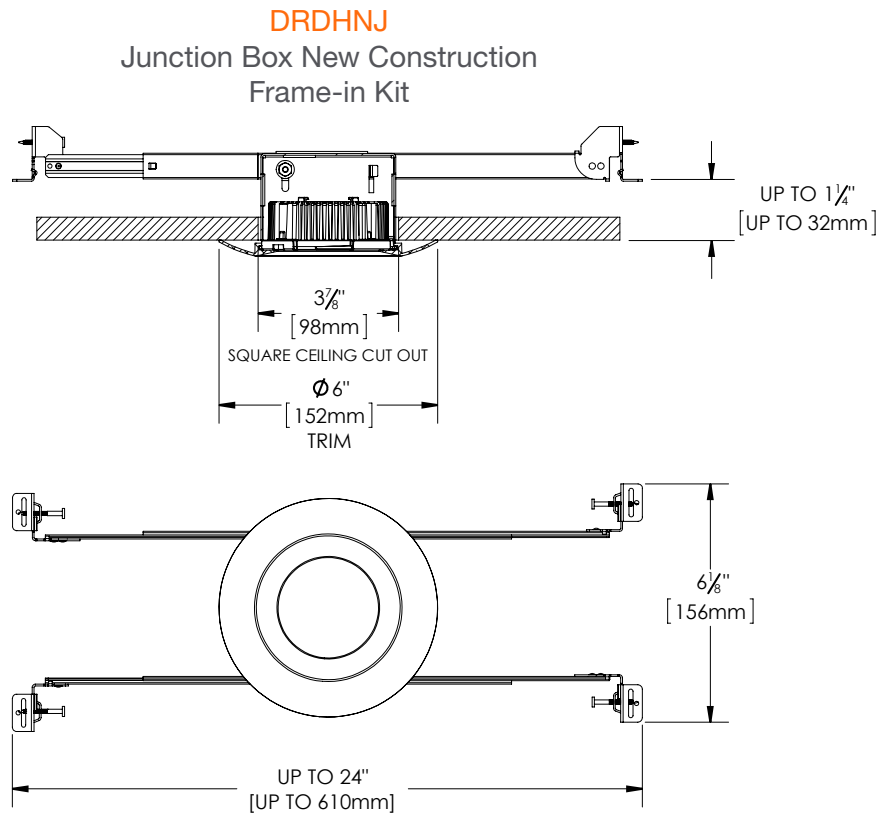
PRODUCT CODE	LUMENS (WATTS)	CRI	CCT
DRD2M Module	7 750 lm (11.8W)	9 93+ CRI	27 2700K
	10 1000 lm (14.7W) Non-IC applications only		30 3000K
			35 3500K
			40 4000K

TRIM

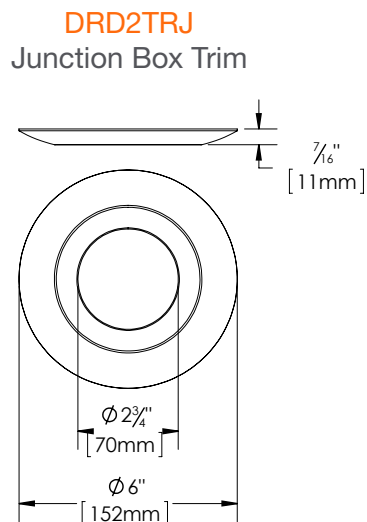
Product Code Example: **DRD2TRJSWH**

PRODUCT CODE	SHAPE	APERTURE	STYLE	FINISH
DRD2T Trim	R Round	J Junction Box	S Smooth	WH White

FRAME-IN KIT DIMENSIONS

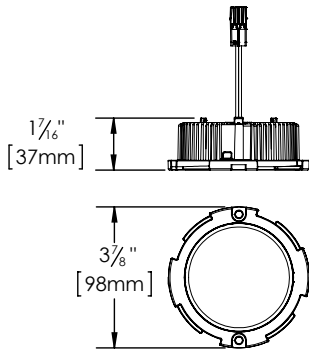


TRIM DIMENSIONS



LIGHT ENGINE OVERVIEW

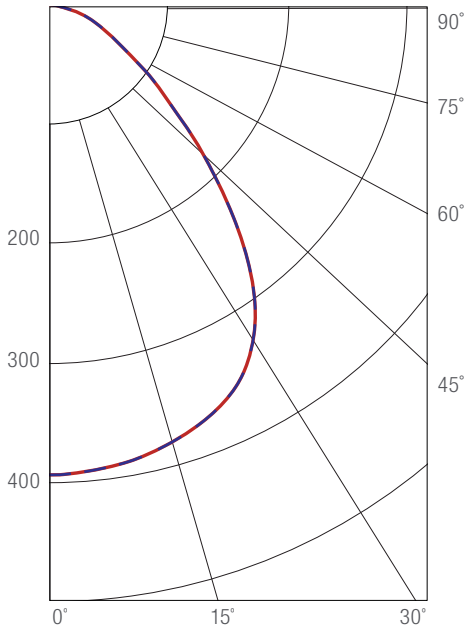
DRD2M
LED Module



	DRD2M7	DRD2M10
Delivered Lumen Output (lm)	750	1000
Rated Power (W)	11.8	14.7
Efficacy (lm/W)	64	68
Color Consistency	2-step SDCM	
CCT Options	2700K, 3000K, 3500K, 4000K	
Color Rendering Index	93+	
CRI /R9	60	
Lifetime (L70)	50,000	
Max Ambient Operating Temperature	40°C	
Input Voltage (V)	120/277V, 50/60Hz	
Input Current at 120V (Max)	0.10A	0.13A
Input Current at 277V (Max)	0.042A	0.053A
Power Factor	>0.9	
Total Harmonic Distortion	<20%	
Dimming	100%-10%	

PHOTOMETRICS

Light Engine: **DRD2M7930** (DRD2 Module, 750 lm, 93 CRI, 3000K)
Trim: **DRD2TRJSWH** (DRD2 Trim, Junction Box, Smooth, White)



cd — C0 - C180 — C90 - C270 822 lm

Luminous Intensity

Gamma	C 0°
0.0°	393
5.0°	391
10.0°	388
15.0°	381
20.0°	372
25.0°	360
30.0°	338
35.0°	301
40.0°	248
45.0°	190
50.0°	140
55.0°	101
60.0°	73
65.0°	54
70.0°	39
75.0°	25
80.0°	11
85.0°	0
90.0°	0

Values in candela

Application Reference

LED Module	Flux (lm)	Power (W)	Downlight Spacing (ft)	Average Illuminance (fcd)	Max/Min	LPD (W/sq ft)
DRD2M7	822	11.8	4x4	49	1.38	0.70
			6x6	25	1.04	0.37
			8x8	13	1.07	0.17

Calculation Area: 50'(L) x 40'(W) x 10'(H)
LLF 1.0, 80/50/20 Reflectance, 2.5'(H) Workplane
Spacing Criteria: 1.28

Zonal Lumen Summary

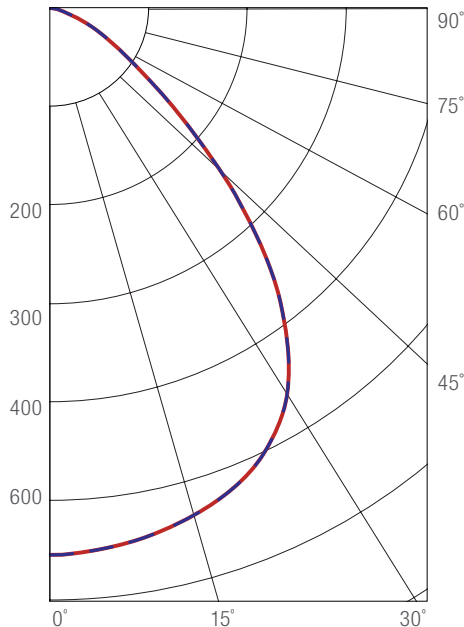
Zone	Lumens	Luminaire %
0-30	310.42	37.8%
0-40	496.27	60.4%
0-60	737.51	89.7%
0-90	822.17	100%
0-180	822.17	100%

Color Temperature Multiplier

CCT	Relative lumen factor*
2700K	0.87
3000K	1.00
3500K	1.00
4000K	1.07

*Value based upon testing with 3500, 95CRI. Lumen output of other color temperature can be determined by multiplying the relative lumen factor.

Light Engine: **DRD2M10930** (DRD2 Module, 1000 lm, 93 CRI, 3000K)
Trim: **DRD2TRJSWH** (DRD2 Trim, Junction Box, Smooth, White)



cd — C0 - C180 — C90 - C270 1076 lm

Luminous Intensity

Gamma	C 0°
0.0°	554
5.0°	551
10.0°	545
15.0°	536
20.0°	523
25.0°	504
30.0°	473
35.0°	422
40.0°	350
45.0°	262
50.0°	177
55.0°	115
60.0°	76
65.0°	49
70.0°	27
75.0°	13
80.0°	6
85.0°	2
90.0°	0

Values in candela

Application Reference

LED Module	Flux (lm)	Power (W)	Downlight Spacing (ft)	Average Illuminance (fcd)	Max/Min	LPD (W/sq ft)
DRD2M10	1076	14.7	4x4	66	1.38	0.81
			6x6	33	1.09	0.43
			8x8	17	1.33	0.20

Calculation Area: 50'(L) x 40'(W) x 10'(H)
LLF 1.0, 80/50/20 Reflectance, 2.5'(H) Workplane
Spacing Criteria: 1.28

Zonal Lumen Summary

Zone	Lumens	Luminaire %
0-30	435.76	40.5%
0-40	696.73	64.8%
0-60	1007.19	93.6%
0-90	1075.84	100%
0-180	1075.84	100%

Color Temperature Multiplier

CCT	Relative lumen factor*
2700K	0.93
3000K	1.00
3500K	1.00
4000K	1.07

*Value based upon testing with 3500, 95CRI. Lumen output of other color temperature can be determined by multiplying the relative lumen factor.

DIMMER COMPATIBILITY

Recommended Phase-control Dimmers (Dims down to less than 5% nominal measured light output)

Brand	Series	Model Number	Max # - load	
			DRD2M7xx	DRD2M10xx
Control 4	Control 4	C4-APD120	10	9
Cooper	Decorator	DLC03P, DAL06P	25	20
Legrand	Adorne	ADPD703TU	35	30
Lutron	Caseta	PD-6WCL	12	10
	CL series	AYCL-153, CTCL-153, DVCL-153, LGCL-153, SCL-153, TGCL-153	12	10
	CL series	AYCL-253, DVCL-253	20	15
	Grafik Eye 3000	QSGR-3P	30	25
	Grafik Sys/Homeworks	LP-RPM-4U	30	25
	Grafik Sys/Homeworks	LP-RPM-4A	25	20
	Maestro CL	MACL-153M, MSCL-OP153M, MSCL-VP153M	12	10
Maestro Wireless	MRF2-6ELV, MRF2-6CL	12	10	

*Compatible Phase-control Dimmers (Dims down to less than 20% nominal measured light output)

Brand	Series	Model Number	Max # - load	
			DRD2M7xx	DRD2M10xx
Cooper	Slide	SLC03P, SAL06P	25	20
Legrand	Harmony	H703PTU, HCL453P	30	25
Leviton	IllumaTech Slide	IPE04	25	20
Lutron	SureSlide	6621, 6674	10	10
	Diva	DV-600	12	10
	Maestro	MA-600	12	9
	Maestro ELV	MAELV-600, MSCELV-600	35	30
	Maestro Wireless	MRF2-6ND	12	10
	Radio RA	RRD-6NA, RRD-6CL, RRD-6D	12	10
	Skylark	S-600, SLV-600	35	30
	Skylark	S-1000	20	18
	Skylark ELV	SELV-300	25	20
	Ariadni/Toggler	AY-603, TG-603	12	10
Power Booster	PHPM-PA/PHPM-WBX	25	20	
Lightolier	Sunrise	SR400RPC120, ZP260QEW	20	15
Watt Stopper	Dimming Sensor	PW-100D	14	12

*Dimmer compatibility reflects performance compatibility only. Please reference your local codes for application.